

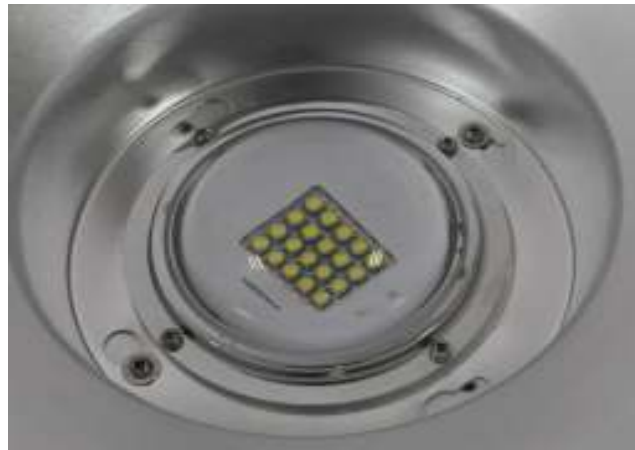
UFO High Bay



6880-M20-CR5150

UFO-M20 High Bay Light 15000LM 150W CR5

The U-Tron UFO series High-Bay lights designed to replace the traditional factory, warehouses and sport arenas High Bay lights using HPS, HID and other decedent technologies. UFO light fixtures can fit in the existing same locations and produce the same light intensity and distribution so the customers can easily take the old one out and put in our UFO Bay Lights.



Product Technical Data

General Informaion

Heatsink 6063-T5 aluminum alloy
Life Span 50000hr

Product Dimensions

Lamp Diameter 495mm
Lamp Height 459mm

Light Characteristics

Efficacy 100.00lm/W
Beam Angle 90, 120
CCT 4000-5500K
Flux 15000lm
80

Color Rending Index

Ordering Information

Product Number 6880-M20-CR5150
Product Name UFO High Bay 150W
Product Ordering Name UFO-M20 High Bay 15000lm
150W CR5

Electrical Characteristics

Wattage 150W
Voltage universal
Power Factor 0.937

Pieces Per Pack 1
Packs Per Carton 1
Net Weight Per Piece 6.0Kg

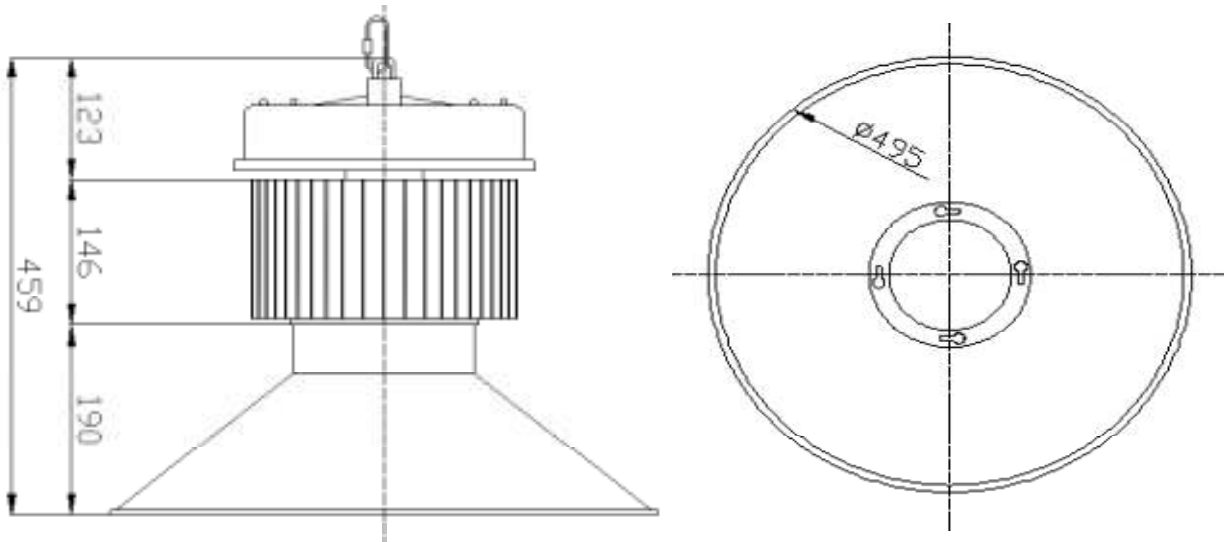
Temperature

Operating Temp. -40(min), 45(max)C
Storage -40(min), 45(max)C

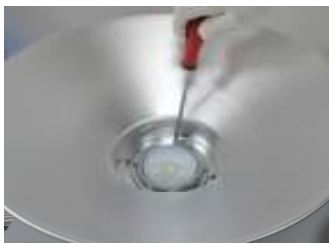
www.u-tron.com



Technical Drawing



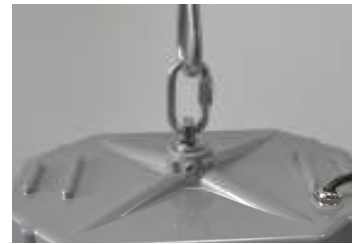
Installation



1



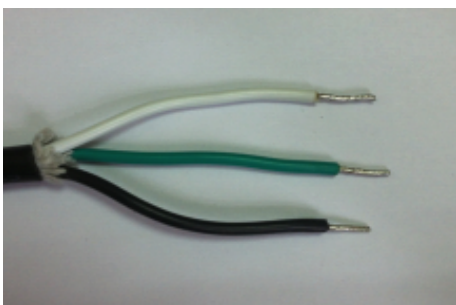
2



3

1. Put the reflector cover on the heatsink by using four screw
2. By the use of C-bolt hook loosen it first then insert it into a chain or cable wire to hang it.
3. After the light is already hanged then tighten the bolt to make it safe.

Wiring Diagram



White = Neutral

Green = Ground

Black = Live

©2012 U-Tron (Beijing) Electronics Co., LTD
 All rights reserved
 Specifications are subject to change without notice

15-Feb-12
 data subject to change

